

U型隔膜阀 KST330

U TYPE DIAPHRAGM VALVE

工作压力：0-10bar

工作温度：-40~150°C

驱动机构：手动控制

密封材质：EPDM,EPDM+TFM

阀体设计：三通阀体设计（带直部弯头）设计

阀体材质：316L（铸造，EN1.4409 CF3M）

接口尺寸：主通道（DN1）DN25-DN65，

出料口（DN2）DN15-DN50

接口方式：KST330-6：焊式

表面处理：外表面 $Ra \leq 0.5\mu\text{m}$ （SF1），

内表面 $Ra \leq 0.375\mu\text{m}$ （SF4）

接口标准：ISO,DIN,ASME BPE.3A,BS



Working pressure: 0-10bar

Working temperature: -40~150°C

Drive mechanism: manual control

Seal material: EPDM+TFM, EPDM

Body design: three valve body design (with straight elbow) design

Body material: 316L (casting, CF3M EN1.4409)

Interface size: main channel (DN1) DN25-DN65, DN15-DN50 (DN2)

Interface mode: KST330-6: Welding

Surface treatment: the outer surface of Ra is less than or equal to 0.5 μm (SF1),

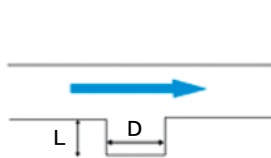
The inner surface of Ra is less than or equal to 0.375 μm (SF4)

Interface standard: ISO, DIN, BPE.3A BS, ASME

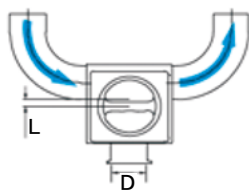
尺寸表	DN2 (出料口)				
	DN15	DN20	DN25	DN40	DN50
DN1	⊙				
		⊙			
	⊙	⊙	⊙	⊙	
	⊙	⊙	⊙	⊙	⊙
	⊙	⊙	⊙	⊙	

避免U型三通支管焊直通隔膜阀隔堰之间的滞留，减少焊缝数，提高接触表面（MOC）的光洁度，具有最小长度的水平管路。

基于SAME BPE 2005：SD-3.11.1无菌设计规范要求，L/D比 $\leq 2:1$ ，消除因出料口产生的流体滞留区，造成细菌滋生的隐患，确保循环回路绝对安全。



BPE:SD-3.11.1



DPU330-6 L/D比 $\leq 2:1$

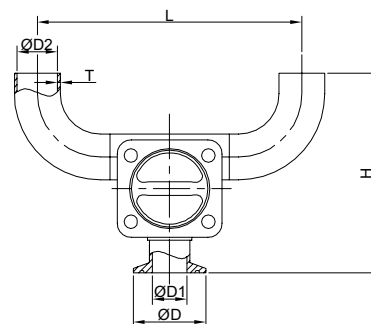
To avoiding a U-shaped three-way pipe welding straight through diaphragm valve weir partition retention, reduce the number of welding, improve finish of contact surface (MOC), with a minimum length of horizontal pipeline.

Based on the same BPE 2005:SD-3.11.1 aseptic design specification for L / D ratio is less than or equal to 2:1, eliminate due to a material inlet fluid retention area, causing bacteria risks to ensure the absolute safety of loop.



U型隔膜阀

U TYPE DIAPHRAGM VALVE



No.KST330-6

Size	D	D1	D2	H	L	T
DN20-15	50.5	9.5	15.8	120.2	110.2	1.65
DN25-20	50.5	15.8	22.1	163.7	166.2	1.65
DN25-25	50.5	22.1	22.1	167.7	166.2	1.65
DN40-20	50.5	15.8	34.8	189.8	204.4	1.65
DN40-25	50.5	22.1	34.8	195.8	204.4	1.65
DN40-32	50.5	28.5	34.8	215.8	229.4	1.65
DN40-40	50.5	34.8	34.8	225.8	229.4	1.65
DN50-20	50.5	15.8	47.5	219.8	242.4	1.65
DN50-25	50.5	22.1	47.5	222.8	242.4	1.65
DN50-32	50.5	28.5	47.5	240.8	267.4	1.65
DN50-40	50.5	34.8	47.5	249.8	267.4	1.65
DN50-50	64.0	47.5	47.5	259.8	282.4	1.65
DN65-20	50.5	15.8	60.3	237.9	280.6	1.65
DN65-25	50.5	22.1	60.3	237.9	280.6	1.65
DN65-40	50.5	34.8	60.3	259.9	310.6	1.65